

CSM 550-800 DM

(The picture illustrates the CSM 550 with cap of 550mm x 610mm. The new model is up dated to cap 550mm x 800mm everything else is unchanged.)

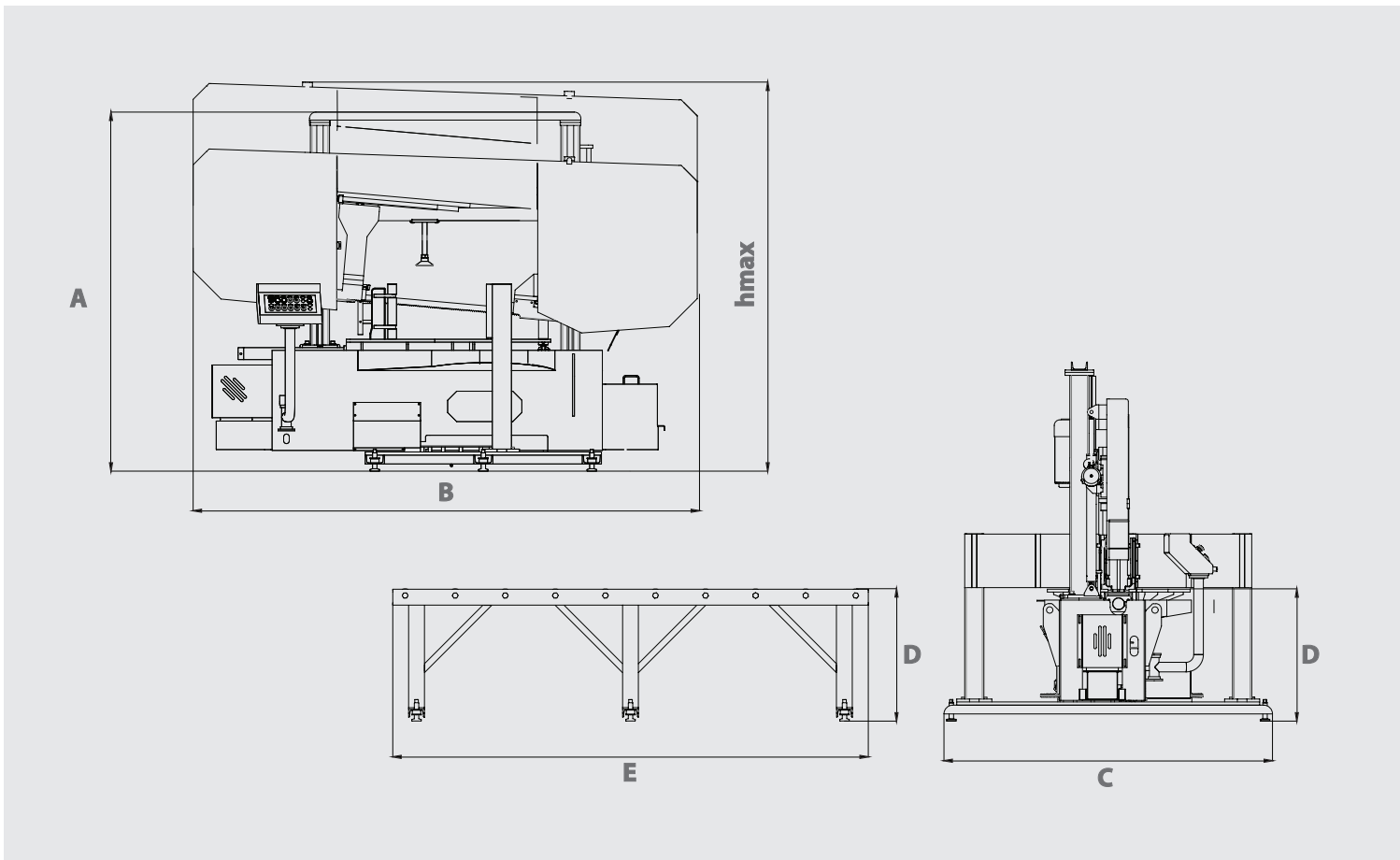


YARI OTOMATİK ÇİFT YÖN AÇILI HİDROLİK SÜTUNLU TESTERE TEZGAHI DOUBLE MITER SEMI AUTOMATIC DOUBLE COLUMN HYDRAULIC BANDSAW MACHINE



ÖLÇÜLER DIMENSIONS

SÜTUNLU MODELLER DOUBLE COLUMN TYPES



TEKNİK ÖZELLİKLER TECHNICAL FEATURES

A	2250 mm 88.58 inch	B	3160 mm 124.41 inch	C	2058 mm 81.02 inch	D	825 mm 32.48 inch	E	3000 mm 118.11 inch	hmax	2437 mm 95.94 inch
---	-----------------------	---	------------------------	---	-----------------------	---	----------------------	---	------------------------	------	-----------------------

Yarı Otomatik Semi Automatic	Şerit Ölçüsü Blade Dimension 51 x 1.6 x 7720 mm	kW Şerit Motoru Blade Motor 4 kW - 1500 rpm	kW Sürücü Motor Feeding Motor Manuel Manual
kW Hidrolik Motor Hydraulic Pump Motor 1.1 kW - 1500 rpm	kW H ₂ O Soğutucu Motor Cooling Liquid Motor 0.12 kW - 2800 rpm	Voltaj Voltage 400 V	Maksimum Güç Maximum Power 5.97 kW
Kesme Hızı Cutting Speed 15 - 100	KG LBS Ağırlık Weight 4000 kg	Malzeme Sıkma Sistemi Material Clamping System Hidrolik Hydraulic	Şerit Germe Sistemi Blade Tensioning System Hidromekanik Hydromechanic

90°	60°	45°	30°	0°	10°	15°	60°
Kesim Kapasitesi Cutting Capacity 550 mm	Kesim Kapasitesi Cutting Capacity 300 mm	Kesim Kapasitesi Cutting Capacity 500 mm	Kesim Kapasitesi Cutting Capacity 550 mm	Kesim Kapasitesi Cutting Capacity 550 mm	Kesim Kapasitesi Cutting Capacity 550 mm	Kesim Kapasitesi Cutting Capacity 500 mm	Kesim Kapasitesi Cutting Capacity 500 mm
	300 x 300 mm	500 mm x 500 mm	550 mm x 550 mm	550 x 550 mm	550 mm x 550 mm	500 mm x 500 mm	
	550 x 300 mm	550 x 500 mm	550 x 610 mm	550 x 800 mm	550 x 610 mm	550 x 500 mm	