

PSM 220 / 330 DM



YARI OTOMATİK ÇİFT YÖN AÇILI TESTERE TEZGAHI SEMI AUTOMATIC DOUBLE MITER BANDSAW MACHINE



MALZEME SIKMA SİSTEMİ
MATERIAL CLAMPING SYSTEM



MALZEME DAYAMA MİLİ
MATERIAL STOP SPINDLE



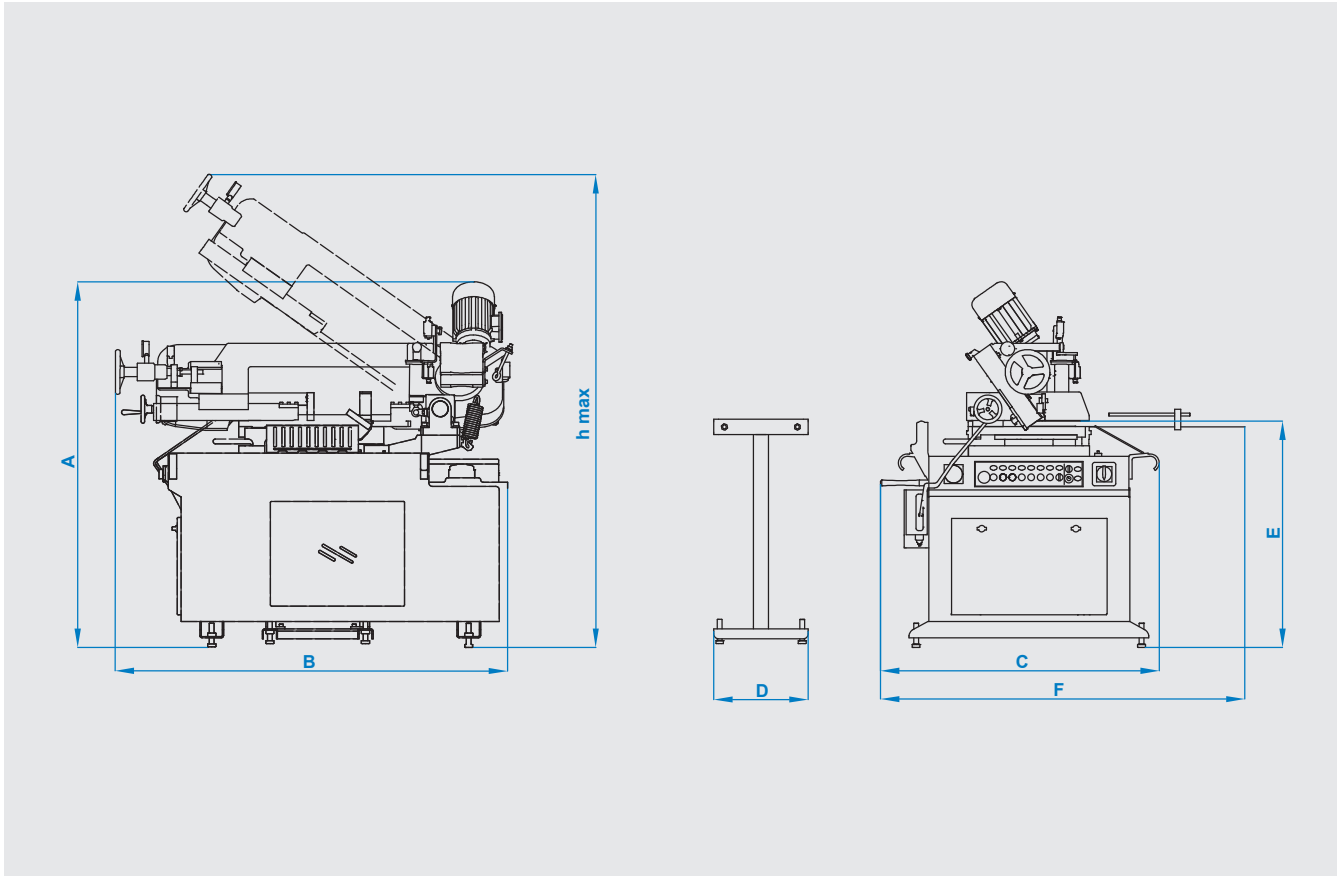
KUMANDA PANELİ
CONTROL PANEL



AÇILI KESİM
MITER CUTTING

ÖLÇÜLER DIMENSIONS

MAFSALLI MODELLER PIVOT TYPES



TEKNİK ÖZELLİKLER / TECHNICAL FEATURES

| | | | | | | | | | | | | | |
|---|-----------------------|---|-----------------------|---|-----------------------|---|----------------------|---|----------------------|---|----------------------|------|-----------------------|
| A | 1555 mm 61.22 inch | B | 1670 mm 65.75 inch | C | 1185 mm 46.65 inch | D | 400 mm 15.75 inch | E | 695 mm 27.36 inch | F | 455 mm 17.91 inch | hmax | 2010 mm 79.13 inch |
|---|-----------------------|---|-----------------------|---|-----------------------|---|----------------------|---|----------------------|---|----------------------|------|-----------------------|

| | | | |
|--|---|--|---|
| Yarı Otomatik Semi Automatic | Şerit Ölçüsü Blade Dimension 27 x 0.9 x 3175 mm 1 x 0.035 x 125 inch | Şerit Motoru Blade Motor 1.1 kW - 1000 d/d 1.47 hp - 1000 rpm | Sürücü Motor Feeding Motor Manuel Manual |
| Hidrolik Motor Hydraulic Pump Motor 0.75 kW - 1400 d/dk 1 hp - 1400 rpm | Soğutucu Motor Cooling Liquid Motor 0.12 kW - 3000 d/dk 0.16 hp - 3000 rpm | Voltaj Voltage 400 V 400 V | Maksimum Güç Maximum Power 1.97 kW 2.64 hp |
| Kesim Hızı Cutting Speed 25 m/dk - 100 m/dk 82 m/dk - 328 ft/min | Ağırlık Weight 670 kg 1477 lbs | Malzeme Sıkma Sistemi Material Clamping System Pnömatik Pneumatic | Şerit Germe Sistemi Blade Tensioning System Hidromekanik Hydramechanic |

| Kesim Kapasitesi Cutting Capacity | | mm inch | 60° | 45° | 30° | 0° | 30° | 45° | 60° |
|--------------------------------------|----------------------|------------|----------------------------------|-----------------------------------|-----------------------------------|-----------------------------------|-----------------------------------|----------------------------------|----------------------------------|
| 220 mm 8.66 inch | 330 mm 12.99 inch | ● | 220 mm 8.66 inch | 220 mm 8.66 inch | 220 mm 8.66 inch | 220 mm 8.66 inch | 220 mm 8.66 inch | 220 mm 8.66 inch | 130 mm 5.11 inch |
| 220 mm 8.66 inch | 330 mm 12.99 inch | ■ | 180 mm 7.08 inch | 220 mm 8.66 inch | 220 mm 8.66 inch | 220 mm 8.66 inch | 220 mm 8.66 inch | 210 mm 8.26 inch | 110 mm 4.33 inch |
| 220 mm 8.66 inch | 330 mm 12.99 inch | □ | 220 x 180 mm 8.66 x 7.08 inch | 220 x 280 mm 8.66 x 11.06 inch | 220 x 330 mm 8.66 x 12.99 inch | 220 x 280 mm 8.66 x 11.06 inch | 220 x 280 mm 8.66 x 11.06 inch | 210 x 180 mm 8.26 x 7.08 inch | 100 x 130 mm 3.93 x 5.11 inch |